

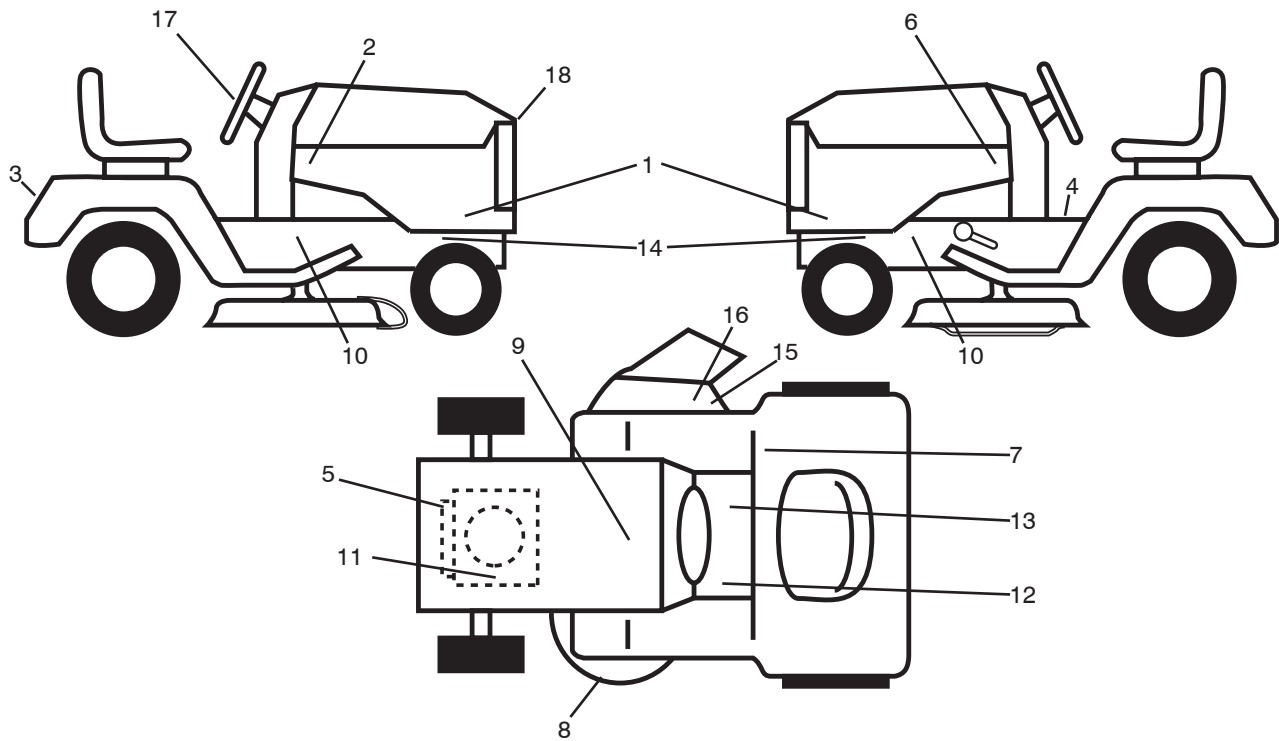
ILLUSTRATED PARTS LIST

MODEL NO. 96041001401

CUSTOMER CATALOG NO. P145107H

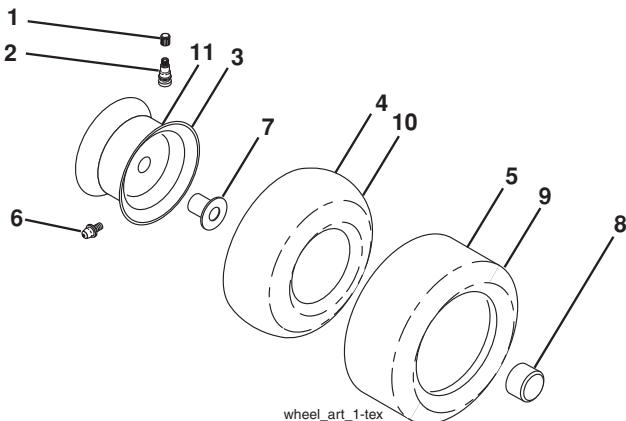
PRODUCT NO. 960 41 00-14

TRACTOR - - MODEL NO. P145107H (96041001401) PRODUCT NO. 960 41 00-14 DECALS



KEY NO.	PART NO.	DESCRIPTION	KEY NO.	PART NO.	DESCRIPTION
1	532 40 86-33	Decal, Panel SD	13	532 14 08-37	Decal, Saddle Brake Parking
2	532 40 81-81	Decal, Hood LH	14	532 18 56-51	Decal, Chas. Turbo Collectn.
3	532 40 86-34	Decal, Fender	15	532 18 21-66	Decal, Cutfinger
4	532 40 03-89	Decal, Oper/Wrng.	16	532 19 63-57	Decal, Deflect Wrn. Cutfinger Sym
5	532 41 67-25	Decal, Engine HP	17	532 40 80-55	Decal, WHL STR.
6	532 40 81-83	Decal, Hood LH	18	532 40 80-54	Decal, Grille Domed Logo
7	532 18 04-32	Decal, Fender 100 DB/CE	--	532 16 69-60	Decal, Bypass Fender
8	532 16 03-96	Decal, V-Belt Schematic	--	532 16 25-98	Decal, Drawbar Load Limit
9	532 14 50-05	Decal, Battery Dnge/Poi	--	532 40 95-05	Pad, Footrest, LH
10	532 15 97-36	Decal, Chassis Hot Muffler	--	532 41 12-73	Pad, Footrest, RH
11	532 19 68-41	Decal, Warning Eng Symbols	--	532 40 91-72	Manual Oper. Euro
12	532 15 97-37	Decal, Brake/Clutch Symbol	--	532 40 91-73	Manual Oper. Scand
			--	532 41 19-85	Manual Oper. EBloc
			--	532 41 19-86	Manual Oper. Baltic

WHEELS & TIRES



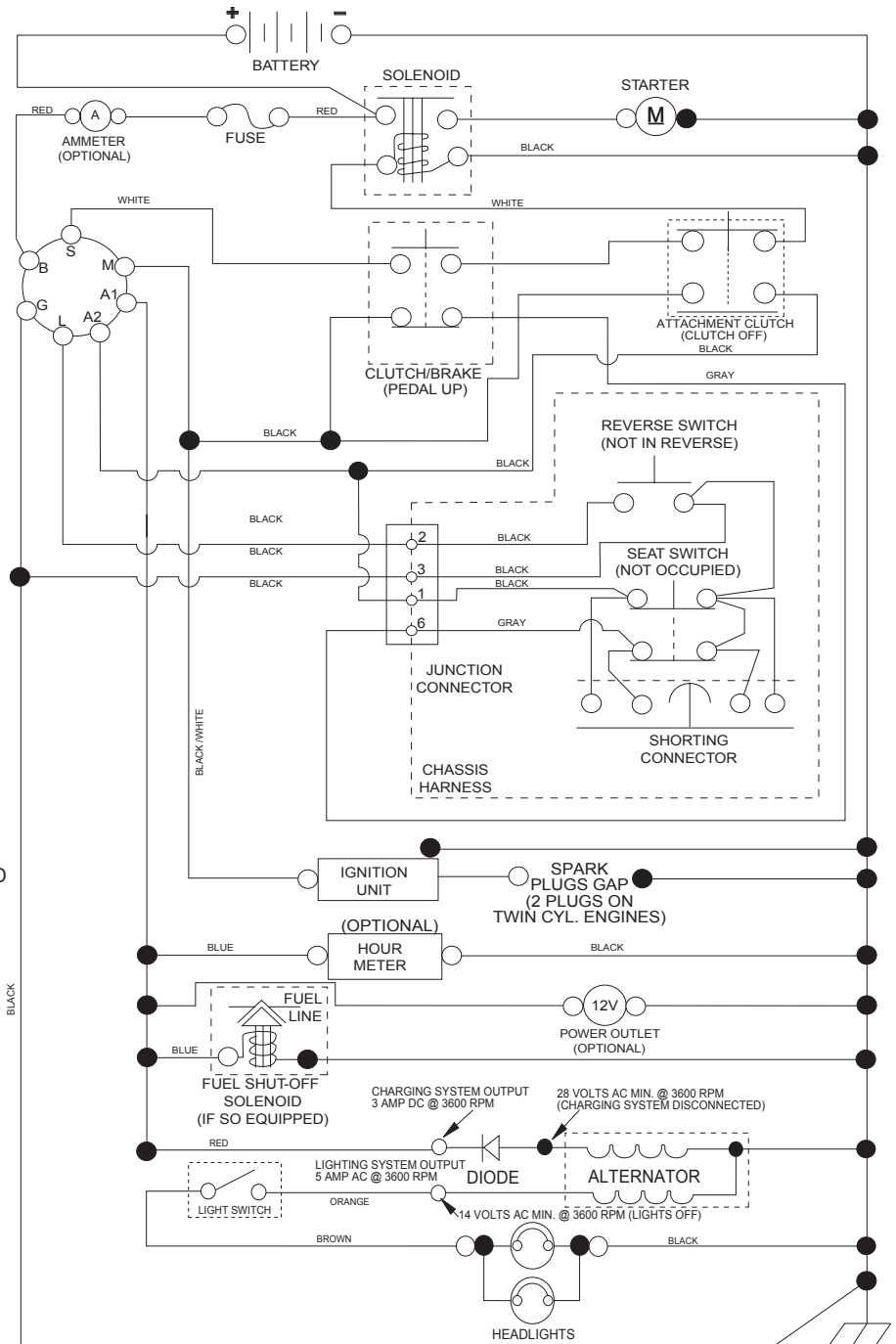
wheel_art_1-tex

KEY NO.	PART NO.	DESCRIPTION
1	532 05 91-92	Cap, Valve, Tire
2	532 06 51-39	Stem, Valve
3	532 12 51-21	Rim Assembly, Front
4	532 05 99-04	Tube, Front
5	532 12 41-57	Tire, Front
6	532 12 49-57	Fitting, Grease
7	532 12 49-59	Bearing, Flange
8	532 17 50-39	Cap, Axle (Front Wheel Only)
9	532 12 39-69	Tire, Rear
10	532 12 49-26	Tube, Rear
11	532 12 51-22	Rim Assembly, Rear
--	532 14 43-34	Sealant, Tire (10 oz. Tube)

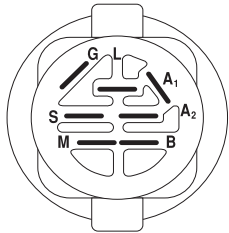
NOTE: All component dimensions given in U.S. inches
1 inch = 25.4 mm

TRACTOR - - MODEL NO. P145107H (96041001401) PRODUCT NO. 960 41 00-14 SCHEMATIC

SCH11

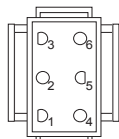


NOTE
YOUR TRACTOR IS EQUIPPED WITH A SPECIAL ALTERNATOR SYSTEM. THE LIGHTS ARE NOT CONNECTED TO THE BATTERY, BUT HAVE THEIR OWN ELECTRICAL SOURCE. BECAUSE OF THIS, THE BRIGHTNESS OF THE LIGHTS WILL CHANGE WITH ENGINE SPEED. AT IDLE THE LIGHTS WILL DIM. AS THE ENGINE IS SPEEDED UP, THE LIGHTS WILL BECOME THEIR BRIGHTEST.

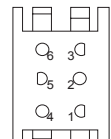


IGNITION SWITCH

POSITION	CIRCUIT	"MAKE"
OFF	M+G+A1	
RUN/OVERRIDE	B+A1	
RUN	B+A1	L+A2
START	B + S + A1	



CHASSIS HARNESS CONNECTOR (MATING SIDE)



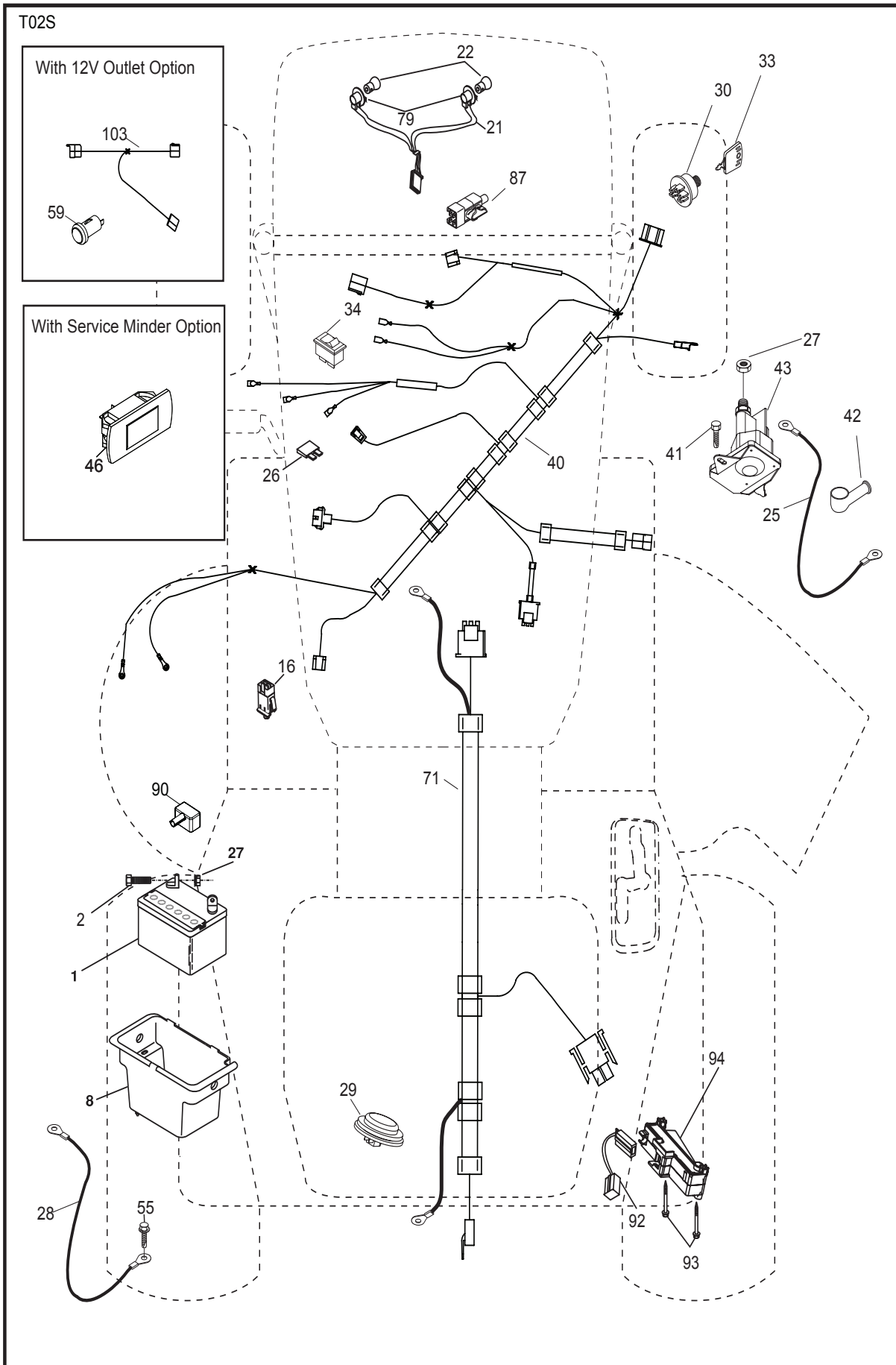
DASH HARNESS CONNECTOR (MATING SIDE)

WIRING INSULATED CLIPS
NOTE: IF WIRING INSULATED CLIPS WERE REMOVED FOR SERVICING OF UNIT, THEY SHOULD BE REPLACED TO PROPERLY SECURE YOUR WIRING.

NON-REMOVABLE CONNECTIONS

REMOVABLE CONNECTIONS

**TRACTOR - - MODEL NO. P145107H (96041001401) PRODUCT NO. 960 41 00-14
ELECTRICAL**

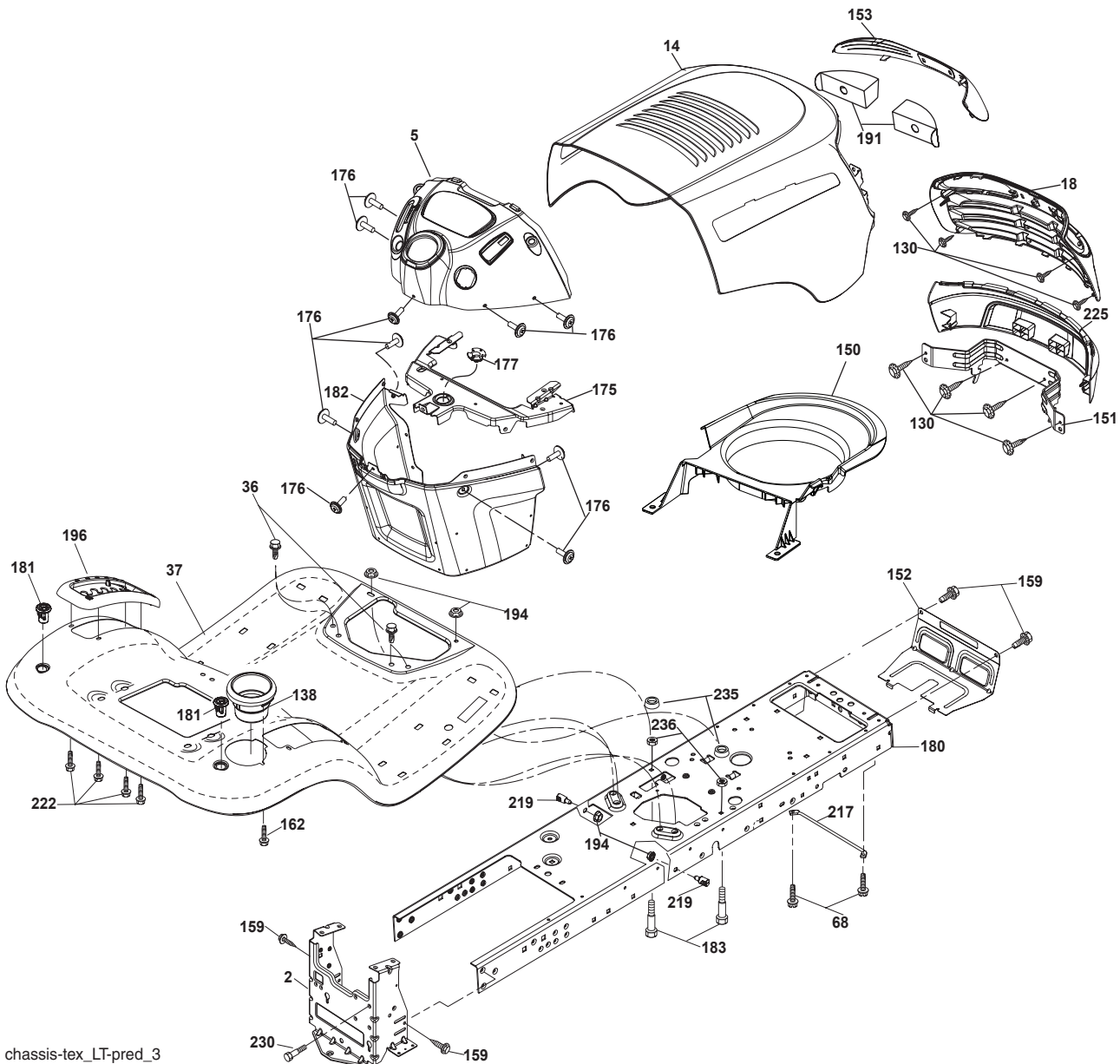


**TRACTOR - - MODEL NO. P145107H (96041001401) PRODUCT NO. 960 41 00-14
ELECTRICAL**

KEY NO.	PART NO.	DESCRIPTION
1	532 16 34-65	Battery
2	874 76 04-12	Bolt Hex Hd 1/4-20 unc x 3/4
8	532 19 32-28	Box Battery
16	532 17 61-38	Switch Interlock Push-In
21	532 40 02-52	Harness Socket Light W/4152J
22	532 00 41-52	Bulb Light
25	532 40 16-62	Cable Starter
26	532 17 51-58	Fuse
27	873 51 04-00	Nut Keps Hex 1/4-20 unc
28	532 19 88-85	Cable, Ground
29	532 40 15-45	Switch, Seat
30	532 19 33-50	Switch, Ign
33	532 41 19-35	Key/Chain
34	532 11 07-12	Switch Light / Reset
40	532 40 10-98	Harness Ign. Dash
41	817 72 04-08	Screw Thd Cut 1/4-20 x 1/2
42	532 13 15-63	Cover, Terminal
43	532 19 25-07	Solenoid
55	817 06 05-12	Screw Thdrol 5/16-18 x 3/4 TYTT
71	532 40 04-49	Harness Ign.
79	532 17 52-42	Bulbholder Asm. Incan Descent
87	532 19 78-02	Switch Interlock Clutch Cable
90	532 40 07-25	Cover Terminal Battery
92	532 19 66-15	Harness Pigtail
93	532 19 25-40	Screw Plastite 10-14 x 2.0
94	532 19 18-34	Module Reverse ROS

NOTE: All component dimensions given in U.S. inches
1 inch = 25.4 mm

TRACTOR - - MODEL NO. P145107H (96041001401) PRODUCT NO. 960 41 00-14 CHASSIS ASSEMBLY



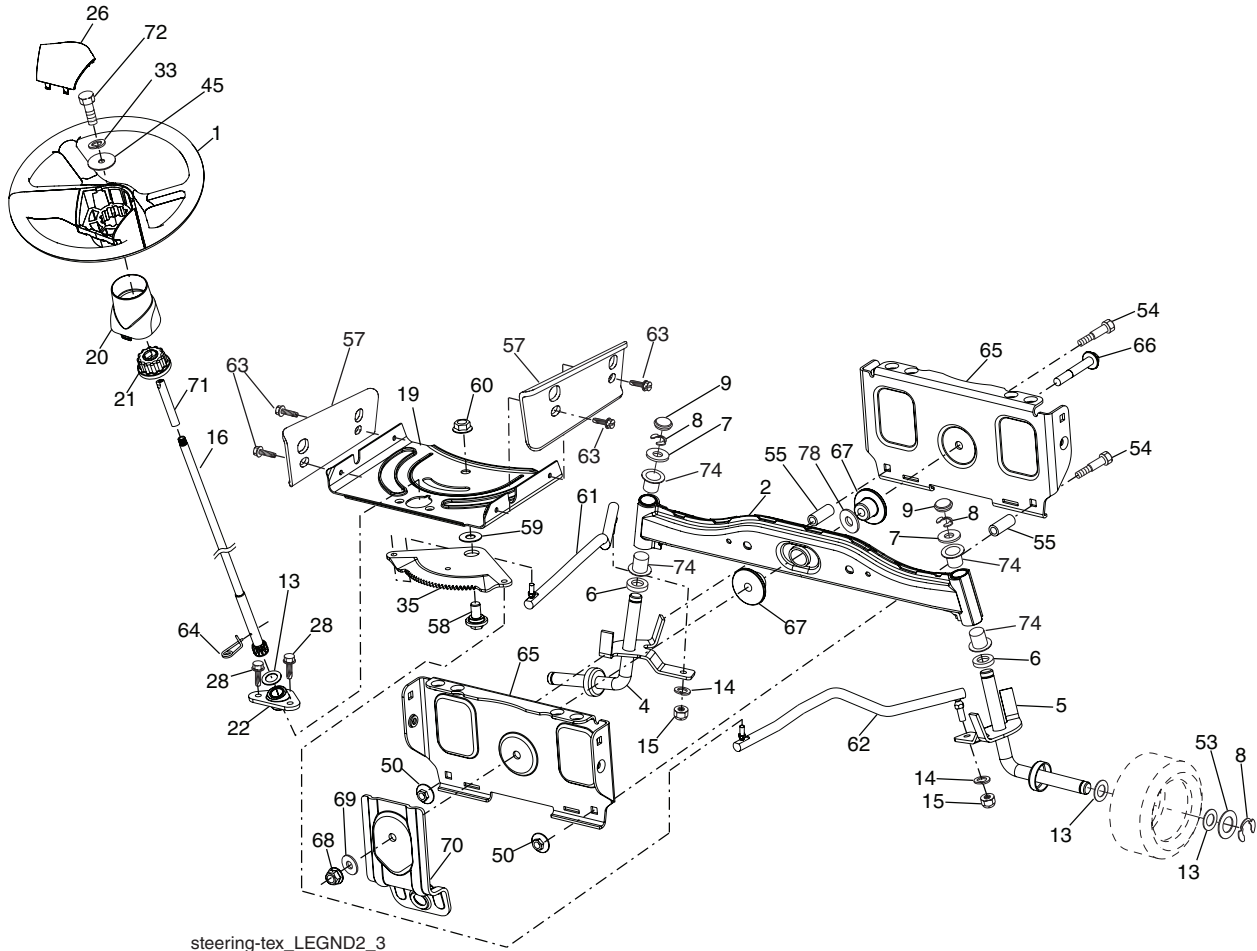
chassis-tex_LT-pred_3

KEY NO.	PART NO.	DESCRIPTION	KEY NO.	PART NO.	DESCRIPTION
2	532 19 42-63	Drawbar	177	532 19 52-28	Bushing Steering
5	532 40 95-97	Dash	180	532 19 42-60	Chassis
14	532 40 95-98	Hood	181	532 40 47-96	Bushing Mtg. Fender Crgo.
18	532 40 18-28	Grille	182	532 19 89-17	Dash Lower
36	817 06 05-12	Screw 5/16-18 x 3/4	183	874 78 05-20	Bolt Fin Hex 5/16-18 x 1-1/4
37	532 40 97-27	Fender	191	532 40 18-27	Reflector Insert
68	817 49 05-08	Screw Thdrol 5/16-18 x 1/2	194	873 90 05-00	Nut Lock Hex Flange 5/16-18
130	532 19 16-11	Screw 10 x 3/4 Single Lead-Hex	196	532 41 05-84	Console Asm. Deck Lift
138	532 40 97-30	Cupholder	217	532 40 91-67	Rod Pivot Chassis
150	532 40 83-10	Duct Heat Hood	219	532 19 51-61	Stud Fastener
151	532 18 75-68	Bracket Pivot	222	532 13 77-29	Screw Thd Roll 1/4-20 x 5/8
152	532 19 43-29	Shield Browning/Debris	225	532 40 95-85	Bumper
153	532 40 97-40	Lens Bar	230	532 17 01-65	Bolt Shoulder 5/16-18
159	817 00 06-12	Screw Hexwsh Thdrol 3/8-16 x 3/4	235	532 40 61-29	Spacer Fender
162	532 14 24-32	Screw Hex Wsh Hi-Lo 1/4 x 1/2	236	873 93 05-00	Nut Centerlock 5/16 - 18 unc
175	532 19 94-72	Crossmember			
176	532 40 07-76	Screw 10-24 x 5/8 Wshd Qdrx			

NOTE: All component dimensions given in U.S. inches
1 inch = 25.4 mm

TRACTOR - - MODEL NO. P145107H (96041001401) PRODUCT NO. 960 41 00-14

STEERING ASSEMBLY



steering-tex_LEGND2_3

KEY NO.	PART NO.	DESCRIPTION	KEY NO.	PART NO.	DESCRIPTION
1	532 19 45-95	Wheel, Steering	54	874 76 06-36	Bolt Hex HS 3/8-16 unc x 2-1/4
2	532 19 56-73	Axle Asm., Front	55	532 19 76-36	Spacer Brace Axle
4	532 40 30-87	Spindle Asm., LH	57	532 40 74-65	Bracket Upstop
5	532 40 30-88	Spindle Asm., RH	58	532 19 47-47	Bolt Shoulder Sector Pivot CFM
6	532 12 49-31	Bearing, Race Thrust Harden	59	532 19 47-48	Washer Thrust Sector Steering
7	532 12 17-48	Washer 25/32 x 1-5/8 x 16 Ga.	60	873 97 10-00	Nut Flange Lock 5/8-11
8	812 00 00-29	Ring, Klip #T5304-75	61	532 19 47-40	Draglink LH
9	532 12 12-32	Cap, Spindle	62	532 19 47-41	Draglink, RH
13	532 12 17-49	Washer 25/32 x 1-1/4 x 16 Ga.	63	817 00 05-12	Screw 5/16-18 x 3/4
14	810 04 06-00	Washer Lock 3/8	64	532 19 98-49	Retainer Clip Spring Steering
15	873 54 06-00	Nut, Crown Lock 3/8-24 unf	65	532 19 47-34	Brace Axle Front
16	532 19 60-74	Shaft Steering	66	871 02 07-48	Bolt Hex Fghd 7/16-14 x 3 Serr
19	532 19 47-29	Plate Steering	67	532 19 47-37	Bushing PM Front Axle
20	532 40 97-63	Boot, Steering	68	873 90 07-00	Nut Lock Flange 7/16-14 Gr. 5
21	532 18 67-37	Adapter, Wheel Steering	69	532 19 91-62	Washer 1.5 x .505 x .118
22	532 19 48-45	Bushing, Strg. Blk	70	532 19 61-97	Bracket Deck Susp. Front
26	532 19 46-03	Insert, Wheel Steering	71	532 19 60-75	Shaft Ext. Steering
28	817 00 06-12	Screw 3/8-16 x 3/4	72	874 78 05-72	Bolt 5/16-18 x 4.5 Gr. 5
33	810 04 05-00	Washer Lock 5/16	74	532 12 49-37	Bearing
35	532 19 47-32	Gear, Sector Plate	78	532 05 70-79	Washer Thrust .515 x .750 x .033
45	819 11 38-12	Washer 11/32 x 2-3/8 x 12 Ga.			
50	873 90 06-00	Nut Lock Flg 3/8-16 unc			
53	532 18 89-67	Washer Hardened .793 x 1.637 x .060			

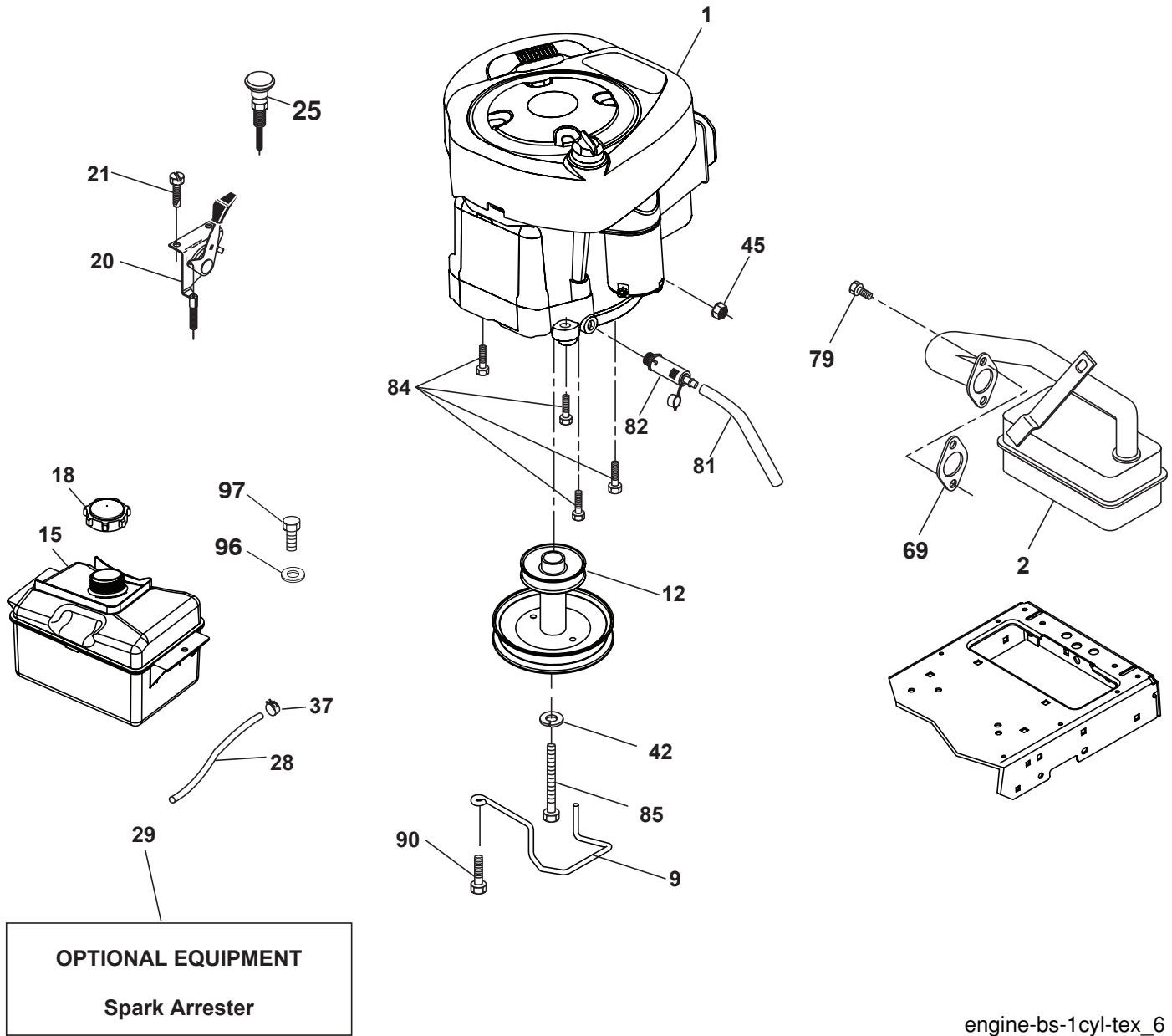
NOTE: All component dimensions given in U.S. inches
1 inch = 25.4 mm

TRACTOR - - MODEL NO. P145107H (96041001401) PRODUCT NO. 960 41 00-14 GROUND DRIVE

KEY NO.	PART NO.	DESCRIPTION	KEY NO.	PART NO.	DESCRIPTION
1	-----	Transaxle, Hydro Gear T2 (See Transaxle Breakdown)	165	532 19 62-12	Bushing
2	532 12 35-83	Key Square	166	532 19 72-90	Nut Push .625
15	819 13 13-16	Washer 13/32 x 13/16 x 16 Ga.	167	532 40 52-57	Latch Brake Parking
17	532 19 72-96	Spring, Brake	169	874 49 05-60	Bolt Hex 5/16-18 x 3.75
22	532 19 76-60	Rod Shift	170	532 19 43-22	Keeper Belt Centerspan
23	532 41 14-00	Knob	171	872 11 06-22	Bolt
29	532 40 83-91	Rod, Brake	174	532 19 72-89	Nut Push
33	812 00 00-01	Ring E	175	532 40 85-39	Shaft Asm Shift
35	532 40 10-31	Rod, Brake, Park	176	532 19 62-14	Arm Clevis Rod Shift
37	532 12 17-49	Washer 25/32 x 1-1/4 x 16 Ga.	178	532 19 74-56	Spring Shift
42	532 12 48-72	Cover, Foot Pedal	183	532 15 69-72	Spacer Axle
49	872 11 06-14	Bolt	184	532 40 97-47	Handle Parking Brake
50	532 19 43-27	Pulley Idler Flat	185	872 11 06-20	Bolt
51	873 90 06-00	Lock Nut 3/8-16	186	532 19 43-21	Spacer Retainer
52	532 19 43-26	Idler V-Groove 910" Offset	187	819 13 32-10	Washer
56	532 12 59-07	V-Belt, Drive	188	532 19 43-23	Link Clutch Ground Drive
64	532 19 62-00	Shaft Asm. Pedal Brake Control	189	532 19 43-17	Bellcrank Ground Drive
70	532 41 13-29	Console	190	532 19 43-18	Keeper Bellcrank Ground Drive
73	874 49 05-44	Bolt Hex 5/16-18 Gr. 5	205	532 12 17-48	Washer 25/32 x 1-5/8 x 16 Ga.
74	532 14 24-32	Screw 1/4 x 1/2	221	532 40 31-87	Retainer Spring Clip Handle
80	532 40 83-93	Strap Torque	231	532 40 72-87	Idler V-Groove 1.688" Offset
99	532 40 84-18	Rod Spring Bypass	232	874 78 07-16	Bolt 7/16-14 x 1 Gr. 5
114	873 80 05-00	Nut Lock 5/16-18 unc	233	532 40 52-96	Washer Serrated
116	873 90 05-00	Nut Lock Hex Flange 5/16-18	263	817 00 06-12	Screw Hex Wsh Thbr 3/8-16 x 3/4
121	532 17 56-11	Bracket Strap Torque	268	819 13 16-14	Washer 13/32 x 1 x 14 Ga.
122	872 01 05-20	Bolt 5/16-18 x 2.50	275	532 18 24-02	Guard, Muffler
125	817 00 05-12	Screw 5/16-8 x 3/4	279	532 40 85-38	Link Shift
153	532 12 47-88	Retainer Spring 1"			
159	876 02 04-12	Pin Cotter 1/8 x 3/4			
160	532 16 94-84	Retainer Clip			
161	532 10 57-09	Spring, Return, Clutch			
162	532 40 87-84	Adapter, Transaxle T2			

NOTE: All component dimensions given in U.S. inches
1 inch = 25.4 mm

**TRACTOR - - MODEL NO. P145107H (96041001401) PRODUCT NO. 960 41 00-14
ENGINE**



engine-bs-1cyl-tex_6

TRACTOR - - MODEL NO. P145107H (96041001401) PRODUCT NO. 960 41 00-14 ENGINE

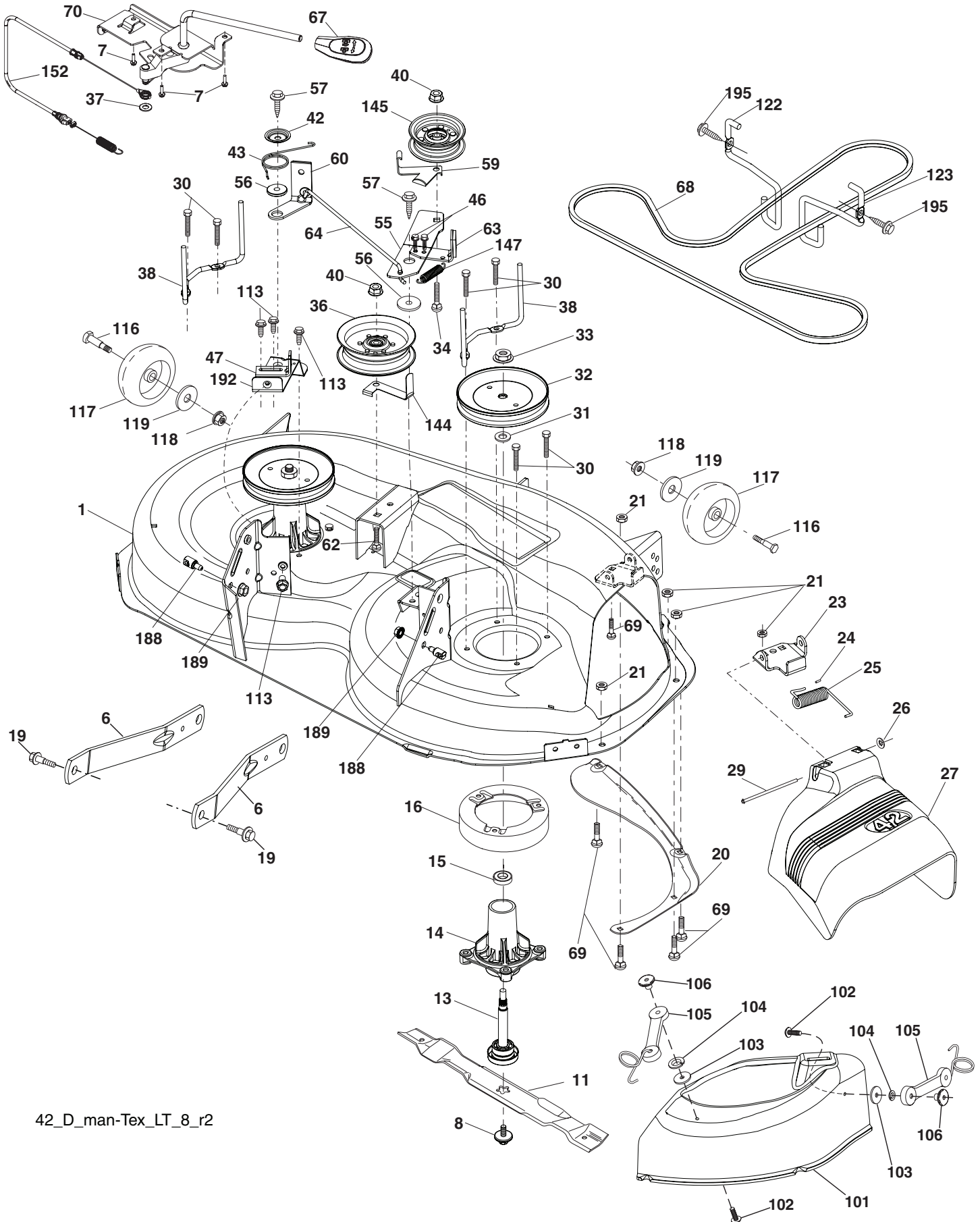
KEY NO.	PART NO.	DESCRIPTION	KEY NO.	PART NO.	DESCRIPTION
1	-----	Engine B&S Model No. 31A507 (Order parts from Engine Manufactuer)	29	532 13 71-80	Spark Arrester Kit
2	532 13 73-52	Muffler	37	532 12 34-87	Clamp Hose
9	532 19 43-19	Keeper Belt Engine	42	810 04 07-00	Washer Lock 7/16
12	532 40 19-85	Pulley Engine	45	873 51 04-00	Nut Keps Hex 1/4-20 unc
15	532 40 75-45	Tank Fuel 1.50	69	532 16 52-91	Gasket
18	532 19 77-25	Cap Asm	79	532 19 23-34	Screw Socket Hd 5/16-18 x .75
20	532 41 17-24	Control Throttle/Choke	81	532 14 84-56	Tube Drain Oil Easy
21	532 19 16-11	Screw 10 x 3/4 Single Lead-Hex	82	532 18 16-54	Plug Drain Oil
25	532 19 49-81	Choke Control	84	817 06 06-20	Screw 3/8-16 x 1-1/4
28	532 13 70-40	Fuel Line	85	532 17 39-37	Bolt Hex 7/16-20 x 4 x Gr. 5-1.5
			90	817 00 06-16	Screw 3/8-16 x 1
			96	819 09 14-16	Washer 9/32 x 7/8 x 16 Ga.
			97	817 67 04-12	Screw 1/4-20 x 3/4

NOTE: All component dimensions given in U.S. inches
1 inch = 25.4 mm

Engine Power Rating Information

The gross power rating for individual gas engine models is labeled in accordance with SAE (Society of Automotive Engineers) code J11940 (Small Engine Power & Torque Rating Procedure), and rating performance has been obtained and corrected in accordance with SAE J1995 (Revision 2002-5). Actual gross engine power will be lower and is affected by, among other things, ambient operating conditions and engine-to-engine variability. Given both the wide array of products on which engines are placed and the variety of environmental issues applicable to operating the equipment, the gas engine will not develop the rated gross power when used in a given piece of power equipment (actual "on-site" or net horsepower). This difference is due to a variety of factors including, but not limited to, accessories (air cleaner, exhaust, charging, cooling, carburetor, fuel pump, etc.), application limitations, ambient operating conditions (temperature, humidity, altitude), and engine-to-engine variability. Due to manufacturing and capacity limitations, Briggs & Stratton may substitute an engine of higher rated power for this Series engine.

TRACTOR - - MODEL NO. P145107H (96041001401) PRODUCT NO. 960 41 00-14 MOWER DECK



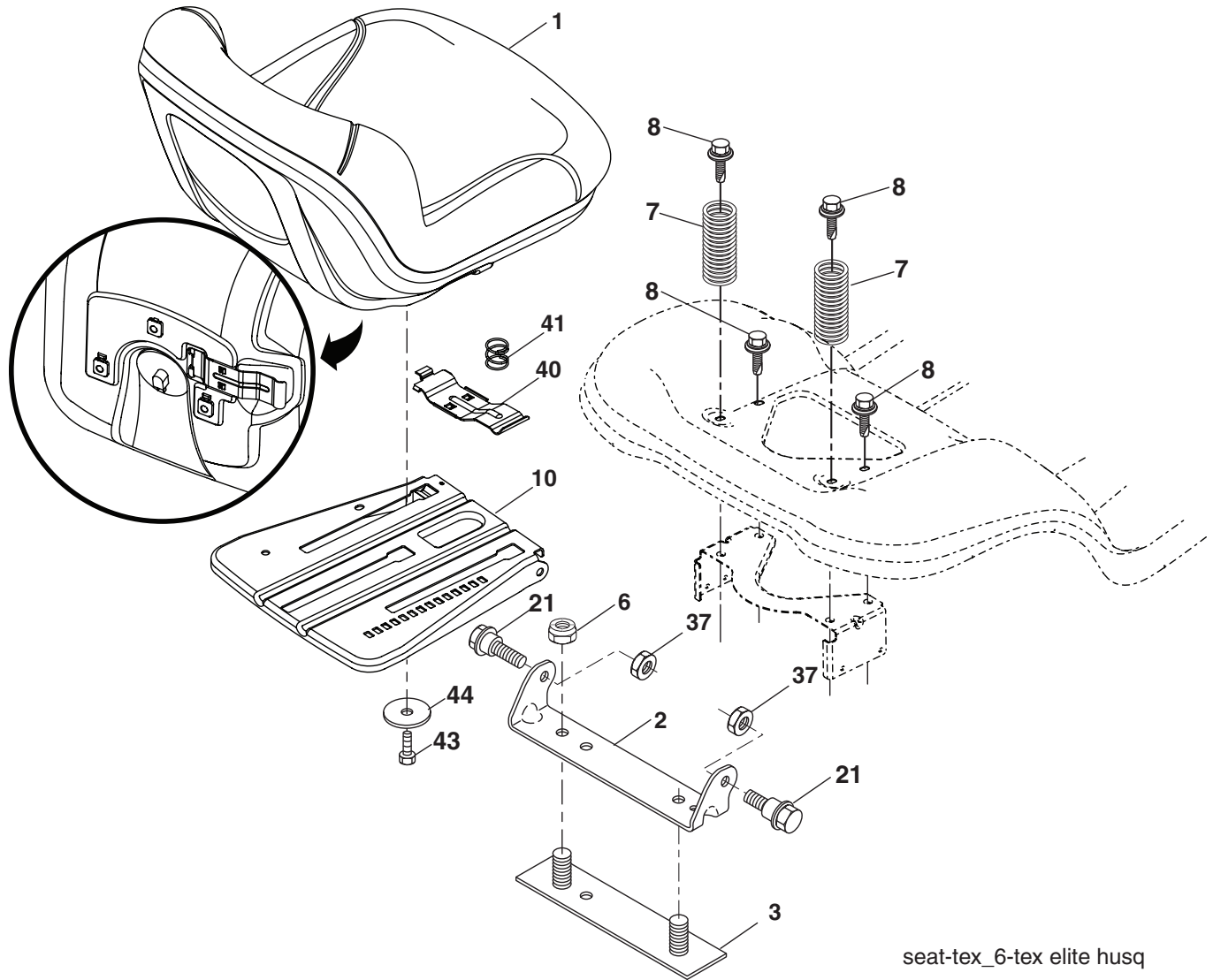
42_D_man-Tex_LT_8_r2

**TRACTOR - - MODEL NO. P145107H (96041001401) PRODUCT NO. 960 41 00-14
MOWER DECK**

KEY NO.	PART NO.	DESCRIPTION	KEY NO.	PART NO.	DESCRIPTION
1	532 19 64-95	Mower Housing	64	532 19 97-90	Linkage Brake
6	532 19 51-86	Arm Suspension	67	532 40 97-92	Handle, Clutch Cable
7	532 19 16-11	Screw 10 x 3/4 Single Hex	68	532 19 72-53	V-Belt
8	532 19 30-03	Bolt/Washer asm 7/16-20 unf	69	872 14 05-05	Bolt Rdhd Sqnk 5/16-18 x 5/8
11	532 13 41-49	Blade, 42" Mulching Std (For mulching mowers only)	70	532 40 12-46	Clutch Asm. Manual
13	532 19 28-72	Shaft Assembly, Mandrel	101	532 19 31-07	Cover Mulching
14	532 18 72-81	Housing, Mandrel	102	871 08 10-10	Screw 10-24 x 5/8
15	532 11 04-85	Bearing, Ball, Mandrel	103	819 06 12-16	Washer #10
16	532 17 44-93	Stripper, Mower Deck	104	810 07 10-00	Washer Lock #10
19	532 19 65-39	Bolt, Shoulder	105	532 16 07-93	Latch Asm
20	532 15 97-70	Baffle, Vortex	106	532 12 50-04	Nut Weld
21	873 68 05-00	Nut, Crownlock 5/16-18 unc	113	817 00 05-10	Screw 5/16-18
23	532 19 25-57	Bracket, Deflector	116	532 12 48-42	Bolt, Shoulder
24	532 10 53-04	Cap, Sleeve	117	532 18 86-06	Wheel, Gauge
25	532 19 70-26	Spring, Torsion, Deflector	118	873 93 06-00	Nut, Crownlock 3/8-1
26	532 11 04-52	Nut, Push	119	819 12 14-14	Washer 13/32 x 7/8 x 14 Ga.
27	532 40 30-04	Shield, Deflector	122	532 19 72-58	Keeper Belt Eng. LH
29	532 13 14-91	Rod, Hinge	123	532 19 72-59	Keeper Belt Eng. RH
30	532 17 39-84	Screw Thdrol Rolling Wsh Hd	144	532 19 92-04	Keeper Belt
31	532 18 76-90	Washer, Spacer	145	532 19 73-79	Pulley Idler
32	532 19 74-73	Pulley, Mandrel	147	532 40 19-71	Spring Return
33	532 40 02-34	Nut, Toplock, Flanged	152	532 40 87-14	Cable Clutch Manual w/Spr.
34	872 11 06-12	Bolt Carr Sh. 3/8-16 x 1-1/2 Gr. 5	186	532 19 77-99	Arm Acuator CL Cable
36	532 19 31-97	Pulley, Idler, Flat	187	532 40 12-45	Lever Control CL Cable
37	819 13 13-16	Washer 13/32 x 13/16 x 16 Ga.	188	532 19 51-61	Stud Fastener
38	532 19 91-89	Keeper Belt LH Mandrel	189	873 90 05-00	Nut Lock Hex Flange
40	873 90 06-00	Nut, Lock Flg. 3/8-16 unc	192	532 19 72-60	Bracket Brake Stand LH
42	532 19 84-10	Spring Trosion Brake	195	817 00 06-12	Screw Hexwsh Thdr 3/8-16 x 3/4
43	532 19 72-56	Spring Torsion Retainer	- -	532 19 28-70	Mandrel Assembly (Includes housing, shaft and shaft hardware only-pulley not included)
46	532 13 77-29	Screw Thd Roll 1/4-20 x 5/8	- -	532 40 51-26	Replacement Mower, Complete
47	532 19 72-50	Bracket Clutch Cable			
55	532 19 72-49	Arm, Idler			
56	532 19 90-92	Spacer, Retainer			
57	817 00 06-16	Screw Hexwsh Thd 3/8-16 x 1			
59	532 14 10-43	Guard, Tuv Idler (94)			
60	532 19 72-61	Arm Brake Mower			
62	872 11 06-16	Bolt Rdhd Sqnk 3/8-16 unc x 2			
63	532 19 94-77	Arm Brake Mower			

NOTE: All component dimensions given in U.S. inches
1 inch = 25.4 mm

**TRACTOR - - MODEL NO. P145107H (96041001401) PRODUCT NO. 960 41 00-14
SEAT ASSEMBLY**

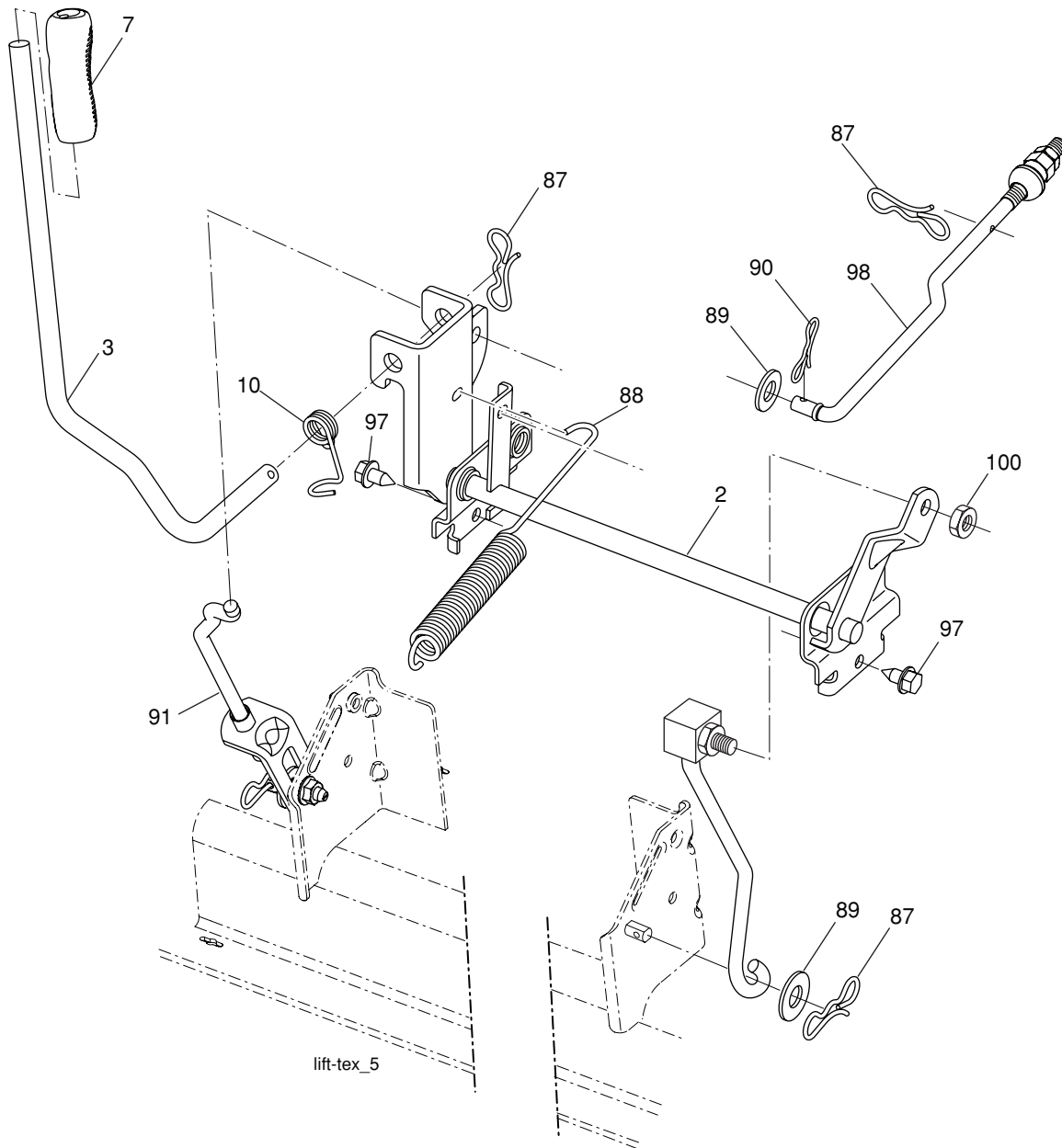


seat-tex_6-tex elite husq

KEY NO.	PART NO.	DESCRIPTION	KEY NO.	PART NO.	DESCRIPTION
1	532 19 75-11	Seat	37	873 80 05-00	Nut, Lock 5/16-18 unc
2	532 18 01-66	Bracket Pivot Fender	40	532 19 76-61	Handle Slide Seat
3	532 14 06-75	Strap, Asm Fender	41	532 19 82-00	Spring Latch Seat
6	873 80 06-00	Nut, Lock W/Ins. 3/8-16 unc	43	874 76 06-12	Bolt Fin Hex 3/8-16 unc x 3/4
7	532 12 41-81	Spring, Seat Cprsn	44	819 13 38-12	Washer 13/32 x 2-3/8 x 12 Ga.
8	532 17 18-77	Bolt 5/16-18 uncx 3/4 w/Sems			
10	532 19 69-77	Pan, Seat			
21	532 17 18-52	Bolt, Shoulder 5/16-18			

NOTE: All component dimensions given in U.S. inches
1 inch = 25.4 mm

**TRACTOR - - MODEL NO. P145107H (96041001401) PRODUCT NO. 960 41 00-14
LIFT ASSEMBLY**



KEY NO.	PART NO.	DESCRIPTION	KEY NO.	PART NO.	DESCRIPTION
2	532 19 52-23	Shaft Asm., Lift	97	817 00 06-12	Screw 3/8-16 x 3/4
3	532 19 52-31	Lever Asm., Lift Rh	98	532 19 52-70	Link Lift Susp. Front Mower
7	532 41 17-42	Grip, Lever	100	873 93 06-00	Nut Centerlock 3/8-16 UNC
10	532 19 63-14	Spring Torsion			
87	532 19 42-09	Pin Cotter 7/16 Bow Tie Lock			
88	532 41 07-10	Spring Lift Assist			
89	819 19 19-12	Washer Clear Zinc			
90	532 19 42-08	Pin Cotter 5/16 Bow Tie Lock			
91	532 19 51-81	Link Lift Susp Mower Rear			

NOTE: All component dimensions given in U.S. inches
1 inch = 25.4 mm